

Hydor

marine, & industrial
equipment

Pumps / Separators / Air Compressors

Press Fitting System

Tubes / Hoses / Couplings / Accessories

HYDOR S.A.

is a Constructive and Commercial Company with a creative course since established (1984), in Navigation-Industry field. In its try for better and more effective coverage for the navigation and industry needs, it ACTS - SPECIALIZES - CREATES

CONSTRUCTIONS

Spare parts

for complete pumps:

EJECTOR PUMP, S.W. COOL PUMP, BOILER PUMP, VACUUM PUMP, L.O. PUMP, BILGE PUMP, SLUDGE PUMP

Makers:

ALLWEILER, COFFIN, DESMI, EBARA, FRAMO, HAMWORTHY, HEISHIN, IMO, IRON, ISHII, ITUR, JMW, KAWASAKI-IMO, KOSAKA, K.S.B., NANIWA, NIREX, RUHRPUMPEN, SHINKOKINZOKU, TAIKO KIKAI, THUNE EUREKA, TEIKOKU, BEHRENS, etc.

Separators

ALFA LAVAL, MITSUBISHI, WESTFALIA etc.

Air compressors

HAMWORTHY, TANABE, TEIKOKU, SPERRE, SAUER, DAIKIN etc.

Pumps and hydraulic circuits repairs.

Steel pipes

double skinning for main engines, electric machines, generators, provided with testing certificate.

High pressure

metallic hoses DIN2391 of hydraulic circuits

Flexible hoses

high, and low pressure for oil, fuel, water, air

Inoxflex hoses

of high temperature (-40 +600 C0) for steam, oil, petroleum and chemicals

Quick coupling fittings

ermeto type

Press Fitting System

Inox - Galvan - Copper pipes, quick coupling fitting, with a lot of accessories and solutions, without welding and in 1/3 of time for installation, capable for potable water, warm - cold - rainwater, steam, gas, sea water.

TRADING

Our company corporates with the most serious factories in Europe as:

BENTELER, RAPISARDA, MANULI, IDROSAPIENS, RASTELLI RACCORDI, RACCORDERIE METALLICHE etc.

PUMPS SPARE PARTS



COMPLETE PUMPS



REPAIRING PUMPS



CASING



SHAFT



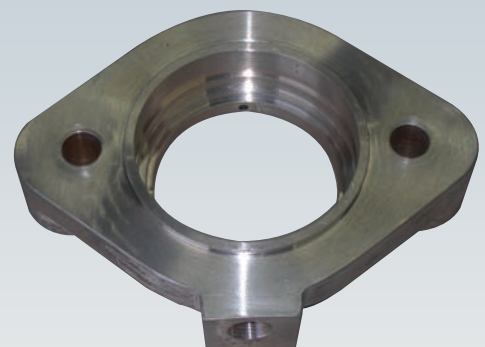
GEARS



IMPELLER



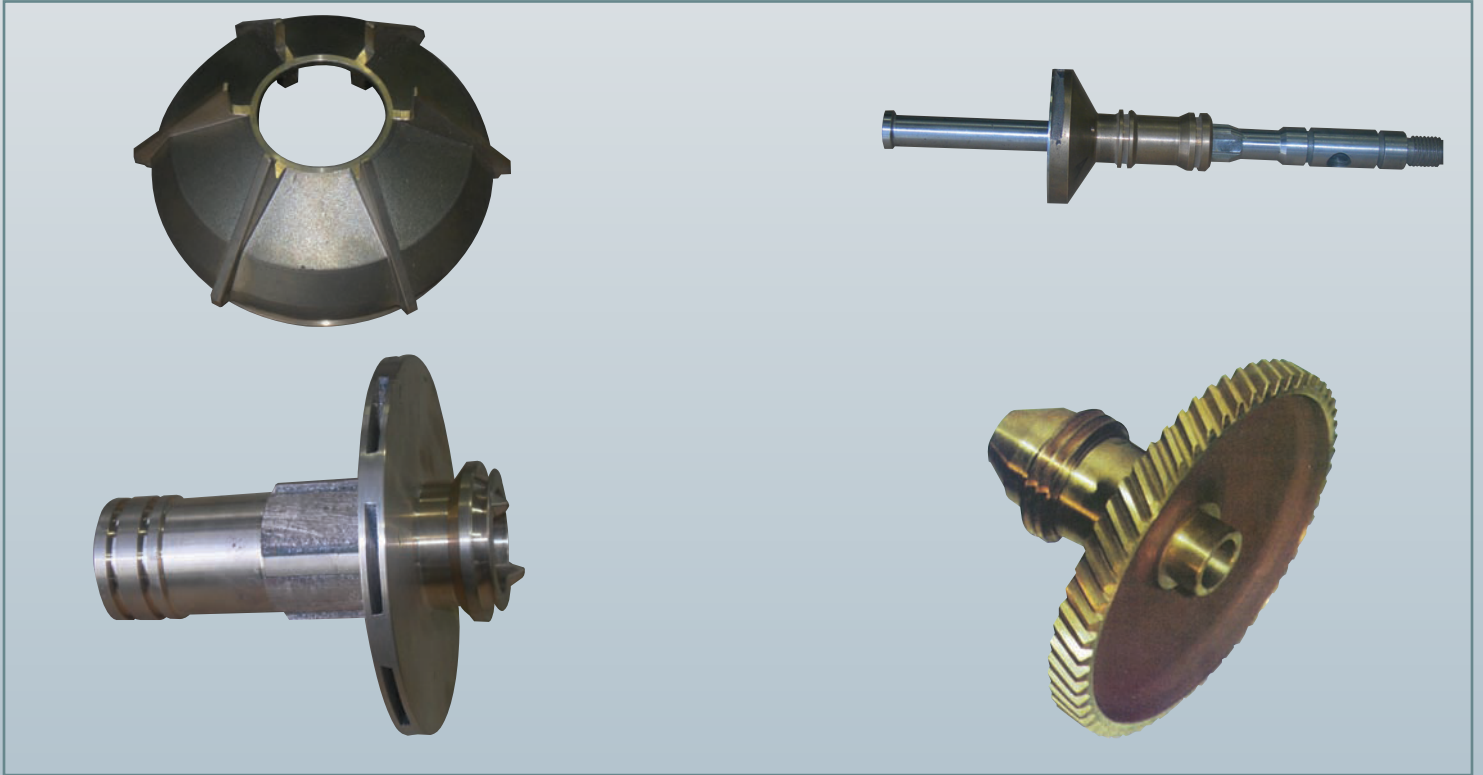
MECHANICAL SEAL



GLAND

SEPARATORS - AIR COMPRESSORS

SEPARATORS



AIR COMPRESSORS



Spare Parts for Fresh Water Generators

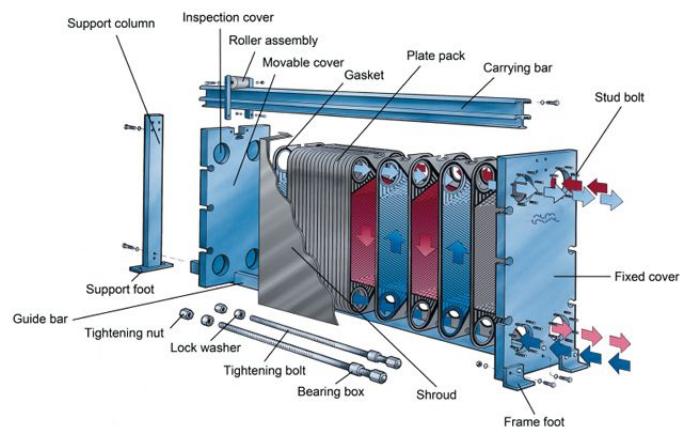
Plates and Gaskets, Spring Loaded Valve, Combined Air/Brine Ejector, Salinometer Electrode etc.



<p><u>ALFA LAVAL NIREX</u> JWP-16-C40/50 JWP&JWSP-26-C80/100 JWP&JWSP-36-C100/125 AQUA Blue C80/100/125 DPU&DTU multistage</p>	<p><u>APV</u> APV/SPX H20 APV/SPX H25 APV/SPX H30</p>	<p><u>SONDEX</u> Sondex SFD 3,5 Sondex SFD 7 Sondex SFD 13 Sondex SFD 23 Sondex SFD 45</p>
--	---	--

Spare Parts for Fresh Heat Exchanger

Plates and Gaskets, in-line Filters and Strainers, Rubber Liners, Instrument Flanges etc.



<p><u>ALFA LAVAL</u> Series A Series AK Series AM Series AX Series Clip Series EC Series H Series M Series MX Series P</p>	<p><u>TRANTER</u> Series S Series UX <u>SWEP</u> Series G <u>SONDEX</u> Series S</p>	<p><u>APV</u> Series H Series K Series M Series N Series R Series SR Series W <u>GEA</u> Series FA Series VT</p>
--	---	---

PRESS FITTING SYSTEM



RACCORDERIE METALLICHE



INOX PRES



STEEL PRES



AES PRES

ACCESSORIES



PRESS FITTING SYSTEMS φ 15 - 210mm



Antivibration
Penetration systems
15 - 280 mm
with fire resistant
VITON rubber



TUBES - COUPLINGS - ACCESSORIES



HIGH PRESSURE STEEL TUBES DIN 2391



BALL VALVES FOR HIGH PRESSURE



FORGED COUPLINGS FOR STEEL TUBES DIN 2353



HIGH PRESSURE FUEL
DOUBLE SKINNING STEEL PIPES

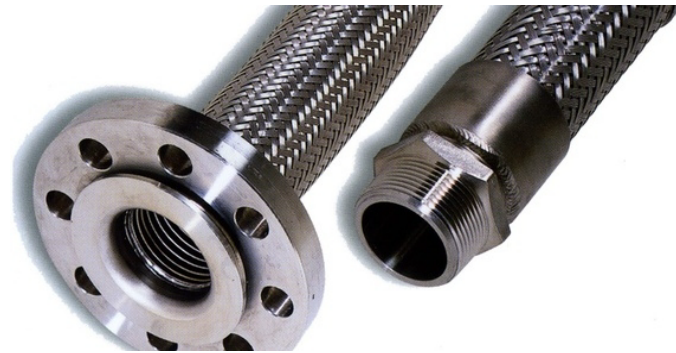
TUBES - COUPLINGS - ACCESSORIES



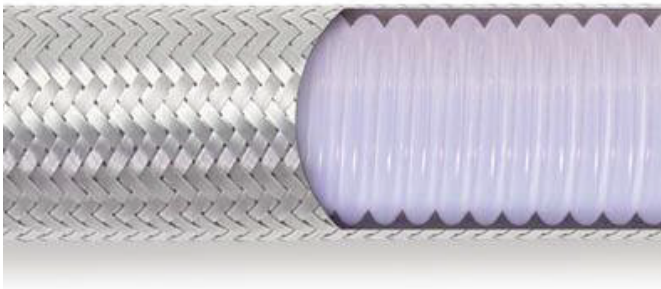
HIGH PRESSURE RUBBER HOSES
FOR HYDRAULIC SYSTEMS



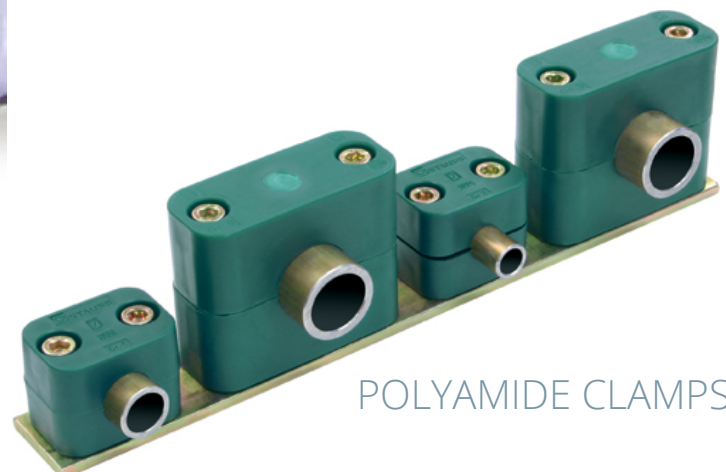
RUBBER HOSES FITTINGS



INOX FLEX HOSES
(-40 +600 ° C) for steam, oil, petroleum and chemicals



TEMPERATURE TEFLON PIPES



POLYAMIDE CLAMPS

Hydor

marine, & industrial
equipment

15, METHONIS STR. , 185 45 PIREAUS - GREECE

TEL.: +30 210 41 79 170 / +30 210 41 79 064 / +30 210 42 24 259

FAX: +30 210 41 79 132

www.hydorsa.com

hydorsa@otenet.gr hydorsls@otenet.gr hydoracc@otenet.gr