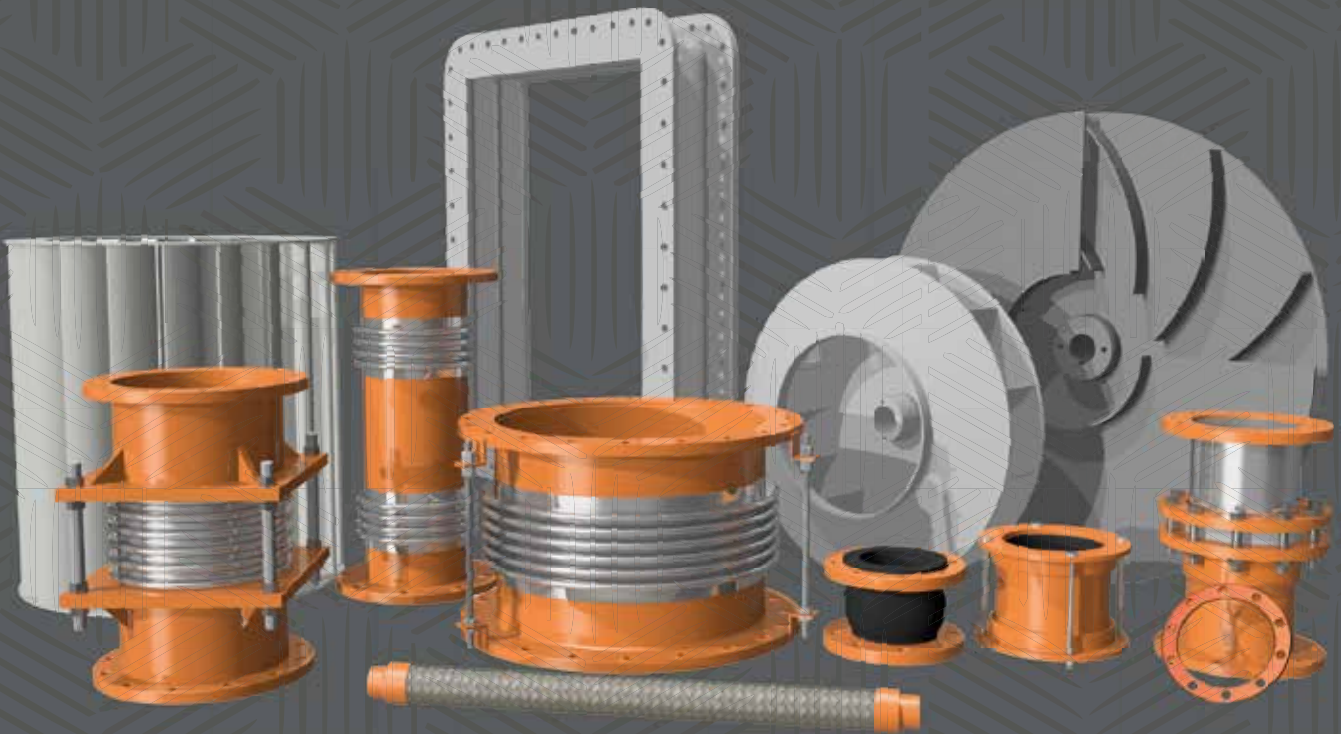


BELLOWS HELLAS

EXPANSION JOINTS - FAN IMPELLERS



MARINE & INDUSTRIAL SPARE PARTS MANUFACTURER

Expansion Joints • Impellers • Blowers • Fans • Flexible Metal Hoses
Exhaust Gas Manifolds • Sea Chests • Filter Elements
Flanges • Gaskets • Thermal Insulating Jackets



Company Profile

BELLOWS HELLAS OE has been manufacturing spare parts for the fields of shipping and broader manufacturing industry since 2000. With its registered office in Piraeus, Greece, the company specialises in the manufacturing of the following products:

Expansion Joins, Fan Impellers, Centrifugal Blowers, Exhaust Gas Manifolds, Flexible Metal Hoses, Filter Elements, Flanges and Gaskets.

We are able to offer custom solutions for the whole range of our products while maintaining top quality and short delivery times. All products are manufactured in our premises by specialised and experienced personnel based on detailed engineering drawings created by our design engineers to ensure optimum results. Since our utmost priority is the provision of high standard services to our clients, the company has attained the ISO 9001:2015 quality assurance certificate. The management, Vangelis Syrigos and Nikolaos Syrigos, are at your disposal for any additional information regarding the products and services of Bellows Hellas OE.

Single Gas Exhaust Expansion Joints (a)

Multiply Expansion Joints which consist of 3 sheets of metal with thickness of 0.3mm or 0.6mm depending on the size of the Joint.

Material:

SUS-321L

Available Size Range:

DN50A - DN3000A.

Flange Type:

Standard or Custom Made

– Fixed or Rotating.



a

b

Universal Expansion Joints (b)

Exhaust Expansion Joints can be manufactured incorporating one more bellow in the design for cases that the load exceeds the capacity of a single bellow.



Steam Expansion Joints (c)

Expansion Joints for high working pressures which consist of 4 to 6 metal sheets with thickness of 0.4mm or 0.6mm depending on the size of the Joint and the required working pressure.

Working Pressure:

Up to 20 BAR

Material:

SUS-316L

Available Size Range:

DN65A - DN400A.

Flange Type:

Standard or Custom Made – Fixed or Rotating.



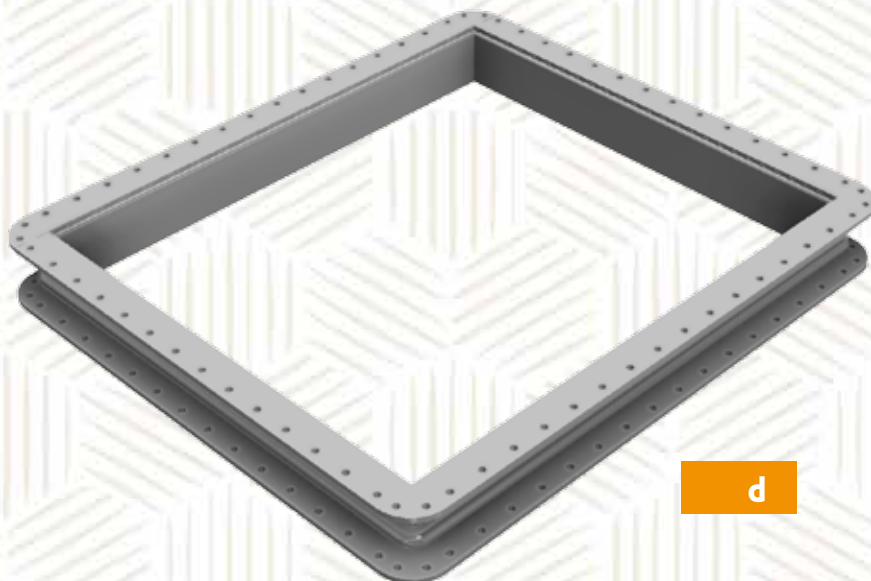
c

Rectangular Expansion joints (d)

Rectangular Expansion Joints consist of 1 sheet of metal with thickness from 1.5mm to 2mm with various material choices available depending on the application of the joint.

Flange Type:

Custom Made – Fixed.



d

Sleeve Type Expansion Joints (e)

Expansion Joints for steam lines which are primarily used in deck lines.

Body & Gland Material:

Galvanised or Epoxy Painted ST-37.2.

Sleeve Material:

Stainless Steel.

Available Size Range:

DN65A – DN300A.

Flange Type:

Standard or Custom Made – Fixed.



Dresser Type Expansion Joints (f)

An Expansion Joint type primarily used in cargo deck lines.

Material:

Galvanised or Epoxy Painted Steel.

Available Size Range:

DN65A-DN750A

Dresser Rubber Packing (g)

The rubber O rings which are responsible for accommodating the axial displacement in Dresser Type Expansion Joints are available individually from DN65A-DN750A.



Rubber Expansion Joints (h)

Rubber Expansion Joints can accommodate movements in all 3 directions as well as torsional movement. They have large movement capacity, a compact design and no gaskets are required for their installation. They can be used for a wide range of applications since they are corrosion and erosion resistant.

Body Material:

NBR

Available Size Range:

DN32A - DN500A.

Flange Type:

Standard or Custom Made – Rotating.



h

Siliconized Expansion Joints (i)

Thermo-E-glass Fabric with red silicone coating and Kevlar threads capable of withstanding temperatures up to 550°C mainly used in the ship air ducts. They can be manufactured at any size requested by the customer.



i

I.G.S. Fan Impellers (a)

We specialise in the manufacturing of various Impeller types in various dimensions and metal thicknesses.

Direction of Rotation:

Clockwise or Anticlockwise.

Material:

Stainless Steel



a



Centrifugal Blowers (b)

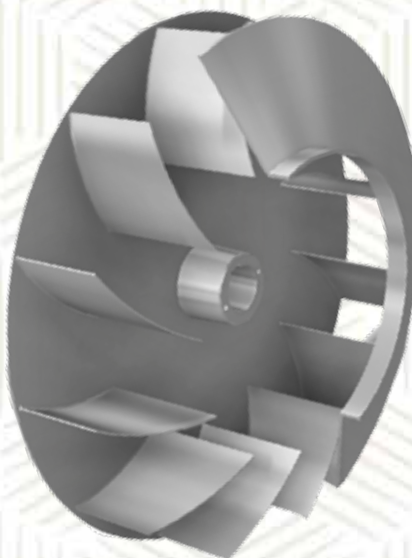
The blower is one of the most widely used fans across a number of industrial fields and can be manufactured at any size requested by the customer.

Material:

Steel, Stainless Steel and Aluminium



b



Sirocco Type Blowers (c)

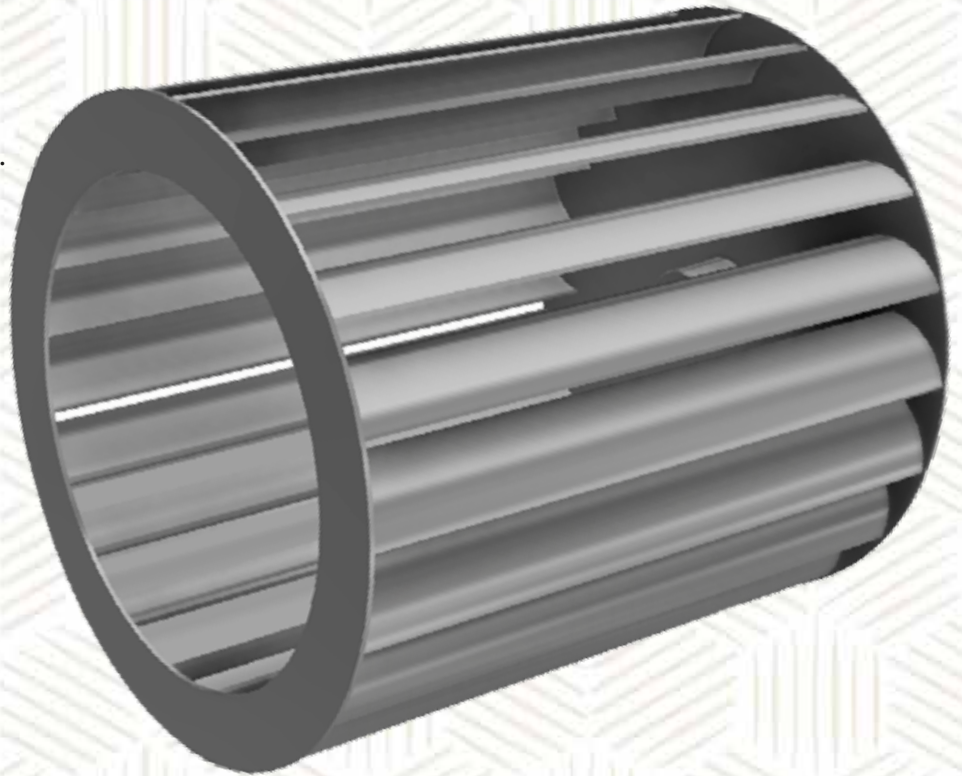
A special type of Centrifugal Blower with forward curved and narrow blades primarily used for air-conditioning applications.

Inlet:

Single or Double.

Direction of Rotation:

Clockwise or Anticlockwise.



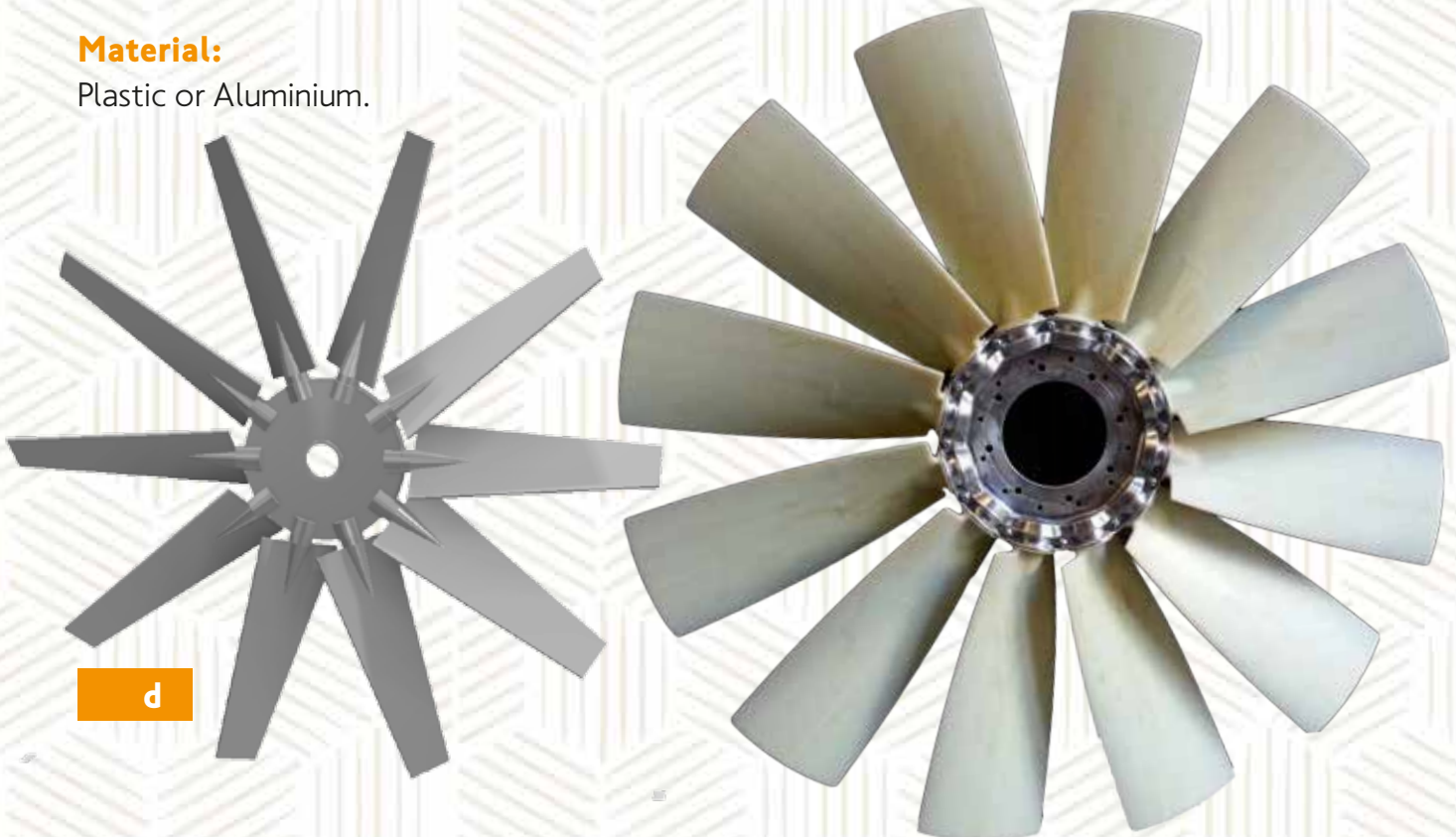
c

Ventilation Axial Fans (d)

Axial Fans are used primarily for moving air through a piping system and can be manufactured at various sizes depending on the needs of the customer. The number of blades and their angle is calculated based on the required capacity of the fan.

Material:

Plastic or Aluminium.



d

Slip on Flanges (a)

We provide a number of Slip on standard Flanges including DIN2576, DIN2566, JIS-5K, JIS-10K, JIS-16K and many more. In cases that standard flanges are not sufficient for a particular application, custom flanges can be manufactured tailored to the needs of the customer.



a



b

Bunker Dripping Flanges (b)

Bunker Dripping Flanges are one of the most common and economic methods of obtaining samples. There is no need for external equipment, are easy to install and operate.

Stainless Steel Units which collect the engine exhaust gas. They can be made in various sizes and shapes. They are divided into two categories:



a) The plain gas exhaust manifolds which are single walled and only direct the exhaust gases to the outlet at the same temperature as they exit the engine.

b) The cooled exhaust gas manifolds which are double walled and the exhaust gas circulates within the inner section and is cooled by the water circulating within the outer section of the manifold.



Flexible Metal Hoses

Corrugated flexible stainless steel metal pipe reinforced with braided stainless steel on the outside. They can be used in extreme conditions as they are corrosion resistant while maintaining their pressure tightness.

Material:

SUS-316L or SUS-321

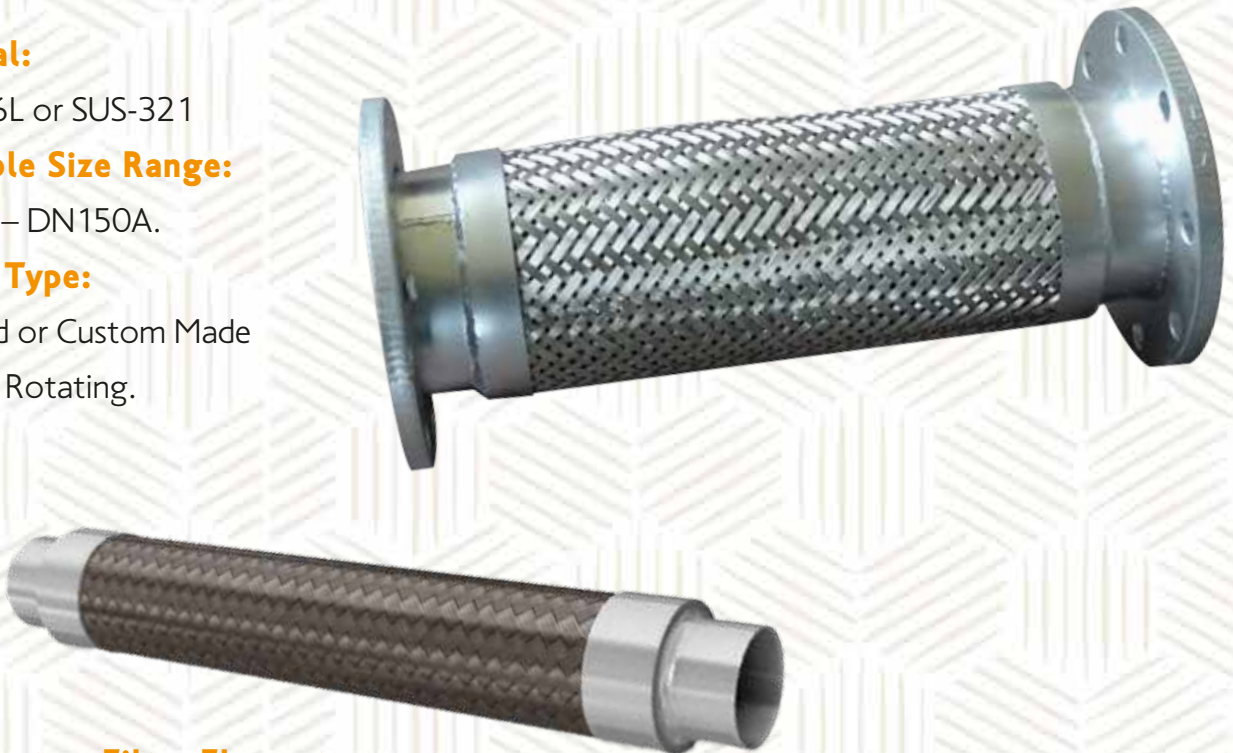
Available Size Range:

DN15A – DN150A.

Flange Type:

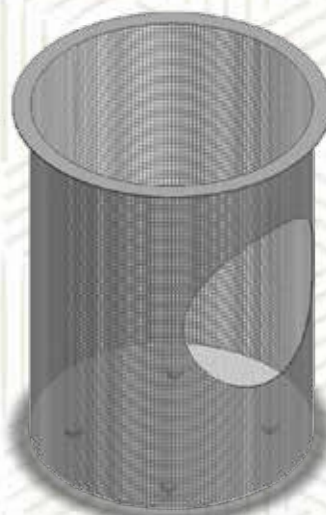
Standard or Custom Made

Fixed or Rotating.



Sea Chests – Filter Elements

Sea Chests are physical barriers used to withhold impurities found in the sea water being pumped for the cooling of the ship engines. Filter Elements act as casing for the sea chests and they have an inlet and outlet which can either be linear or at an angle. They can be manufactured at any shape and size requested by the customer.



Gaskets

They are one of the simplest sealing components and they can also fill any irregularities on the two mating surfaces. We provide a number of different Gasket types which can be manufactured at any shape and size to meet the needs of the customer.

- a. Metal Plastic Gaskets
- b. Mild Steel Gaskets
- c. Vegetable Oil Gaskets
- d. Non Asbestos Gaskets
- e. Spiral Wound Gaskets
- f. Rubber Cork Gaskets
- g. Rubber Manholes



Thermal Insulating Jackets

Used for insulating the piping and the Expansion Joints in the ship's engine room. They are separated into three layers with the inner being plain fiberglass, the intermediate layer ceramic wool and the outer one fiberglass coated with silicone or aluminium.





BELLOW SHELLS O.E.

Marine & Industrial Spare Parts Manufacturer

- 📍 27 Aigaleo & Salaminos Str., 18545, Piraeus, Greece
- ☎ +30 210 411 6647, +30 2104134155
- 🏠 +30 2104116634
- ✉ info@bellowshells.com, sales@bellowshells.com
- 🌐 www.bellowshells.com
- in www.linkedin.com/in/Bellows-Hellas

